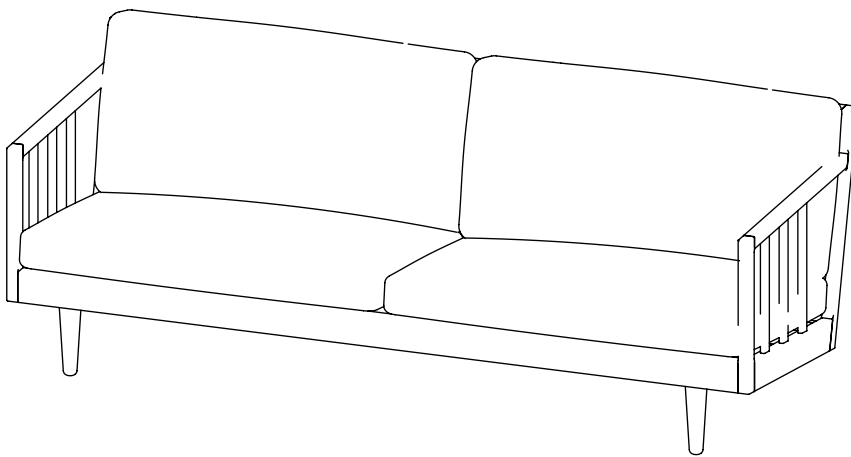
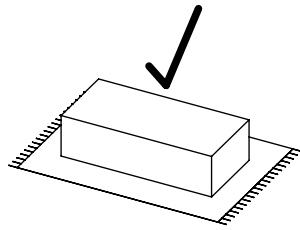
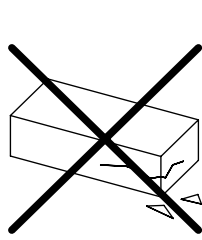


# TRÄSOFFA RAK



norrgavel



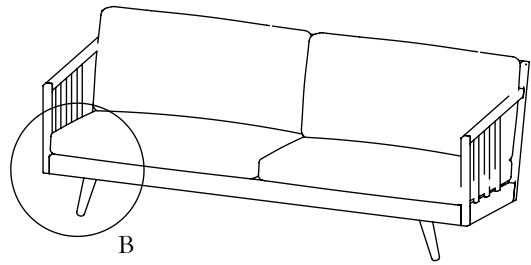
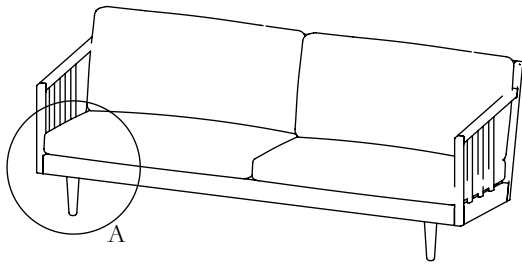
x1



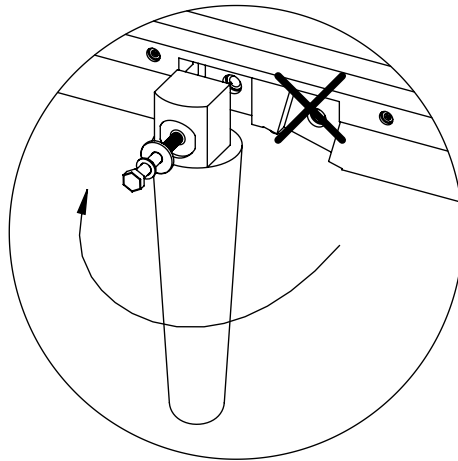
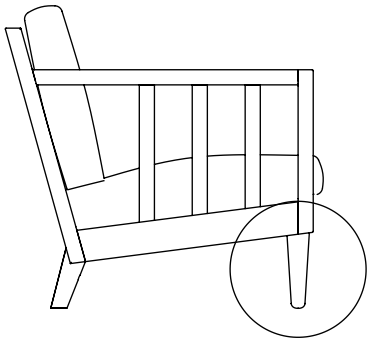
x2



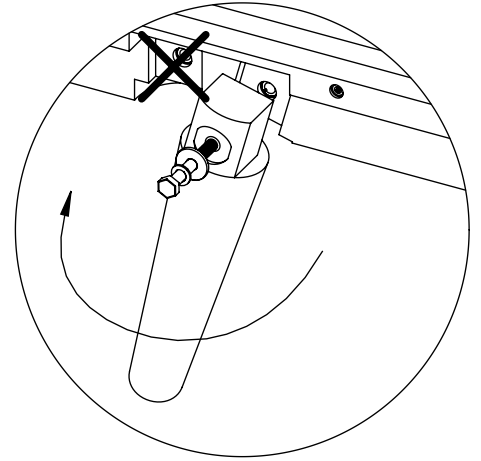
x2



## 1. MOUNTING OF FRONT LEG: POSITION A OR B



A



B

## 2. MOUNTING OF BACK LEG

