

norrgavel

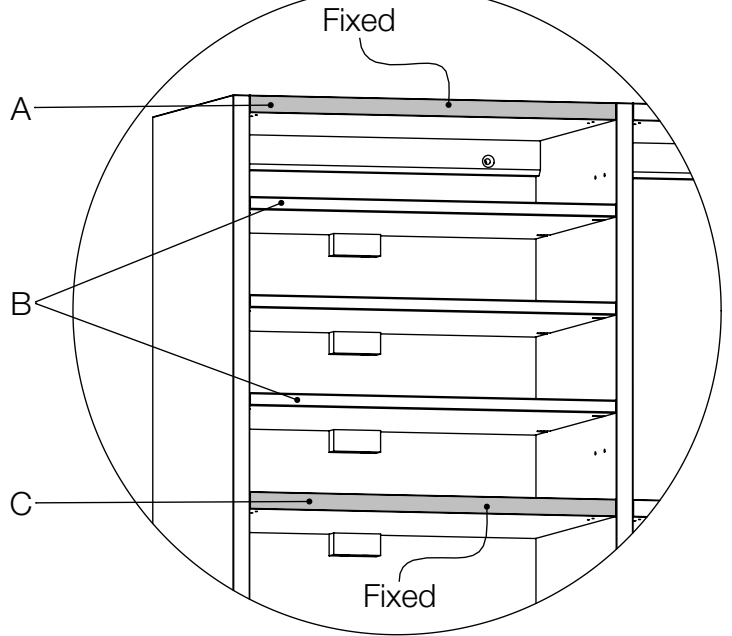
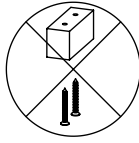


Svenska

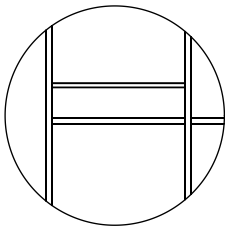
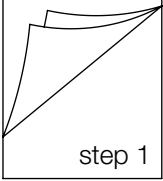
Korrekt val av infästning i vägg beror på vilken sorts vägg hyllan ska fästas på (exempelvis betong, lättbetong, gipsskiva eller tegel). Har du frågor gällande lämplig infästning (skruv/plugg) – kontakta en lokal fackhandel.

English

The correct choice of wall attachment depends on the type of wall the shelf is to be attached to (eg concrete, aerated concrete, plasterboard or brick). If you have questions regarding suitable fastening (screw / plug) - contact a local specialised store.

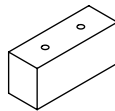
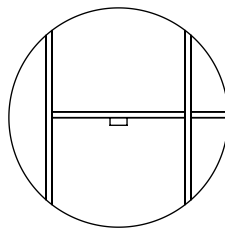
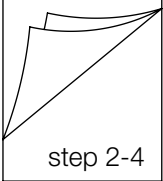


Loose shelf



x4

Drawer stop

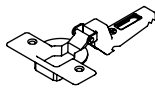
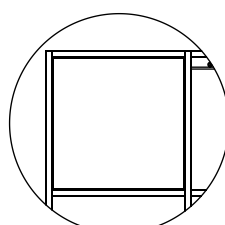
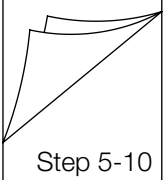


x1

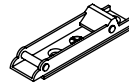


x2

Door



x2



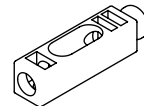
x2



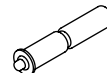
x6



x1

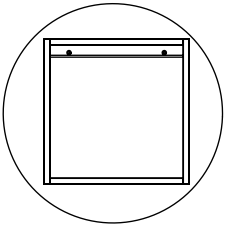
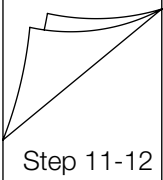


x1



x1

Spacer



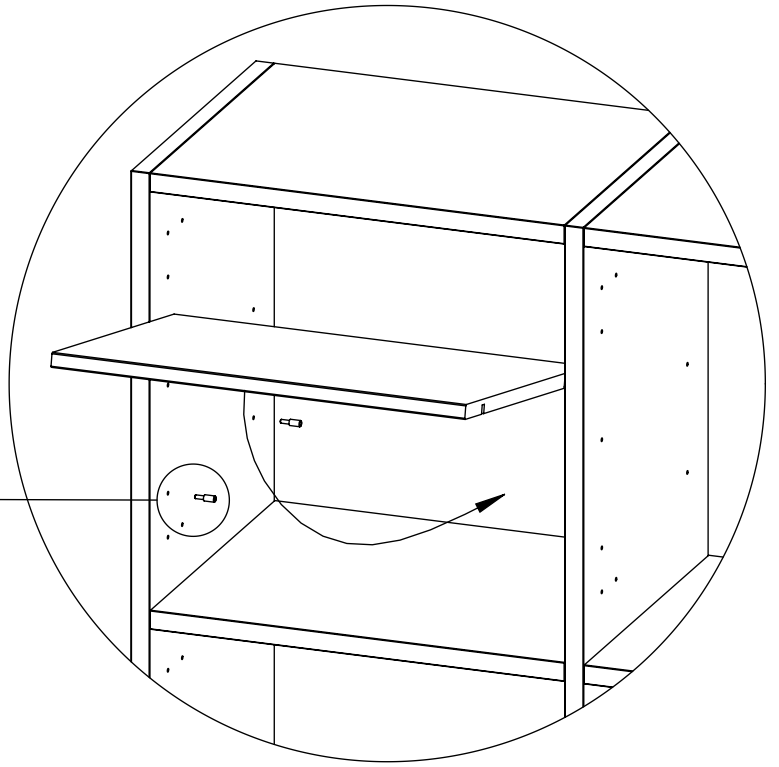
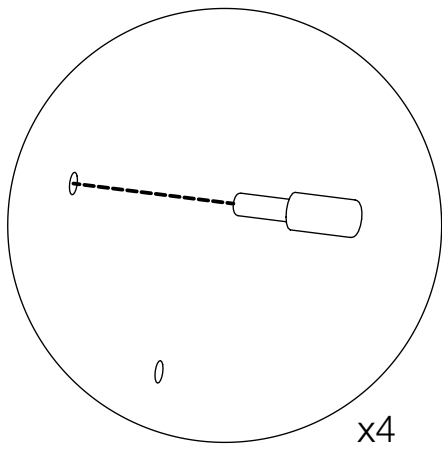
x4



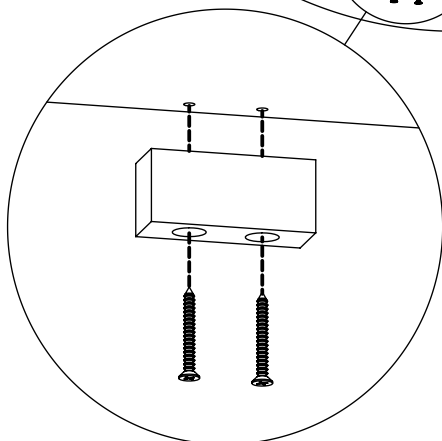
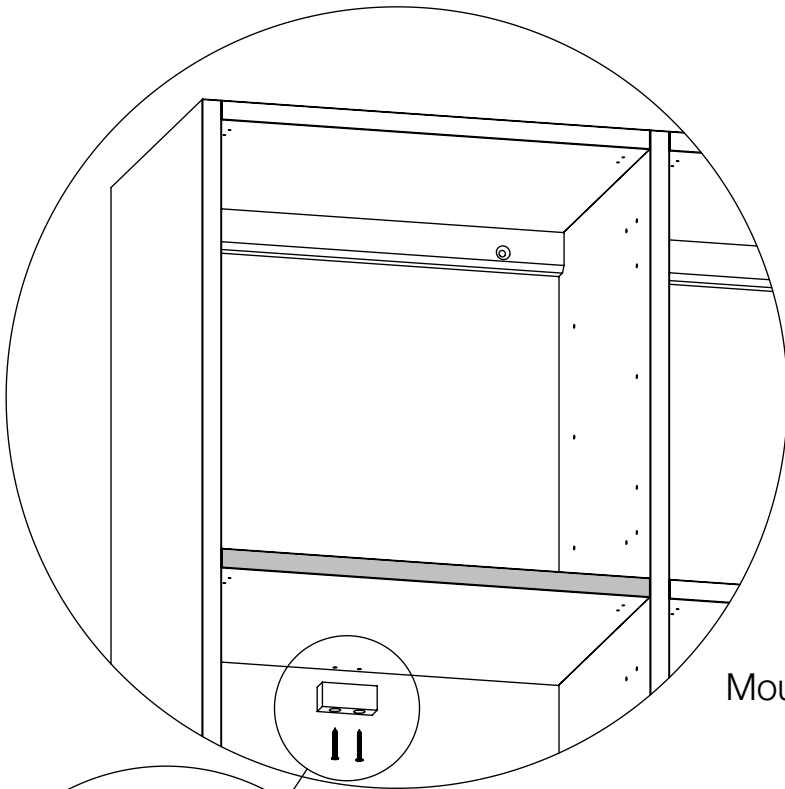
x2

Notice!
Wall attachment
not included

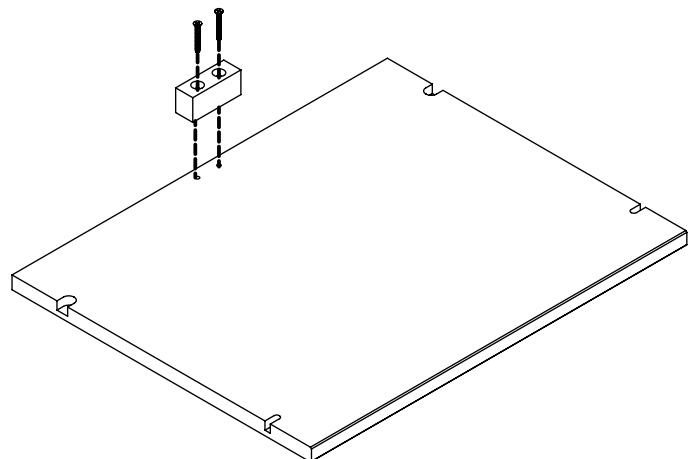
1.



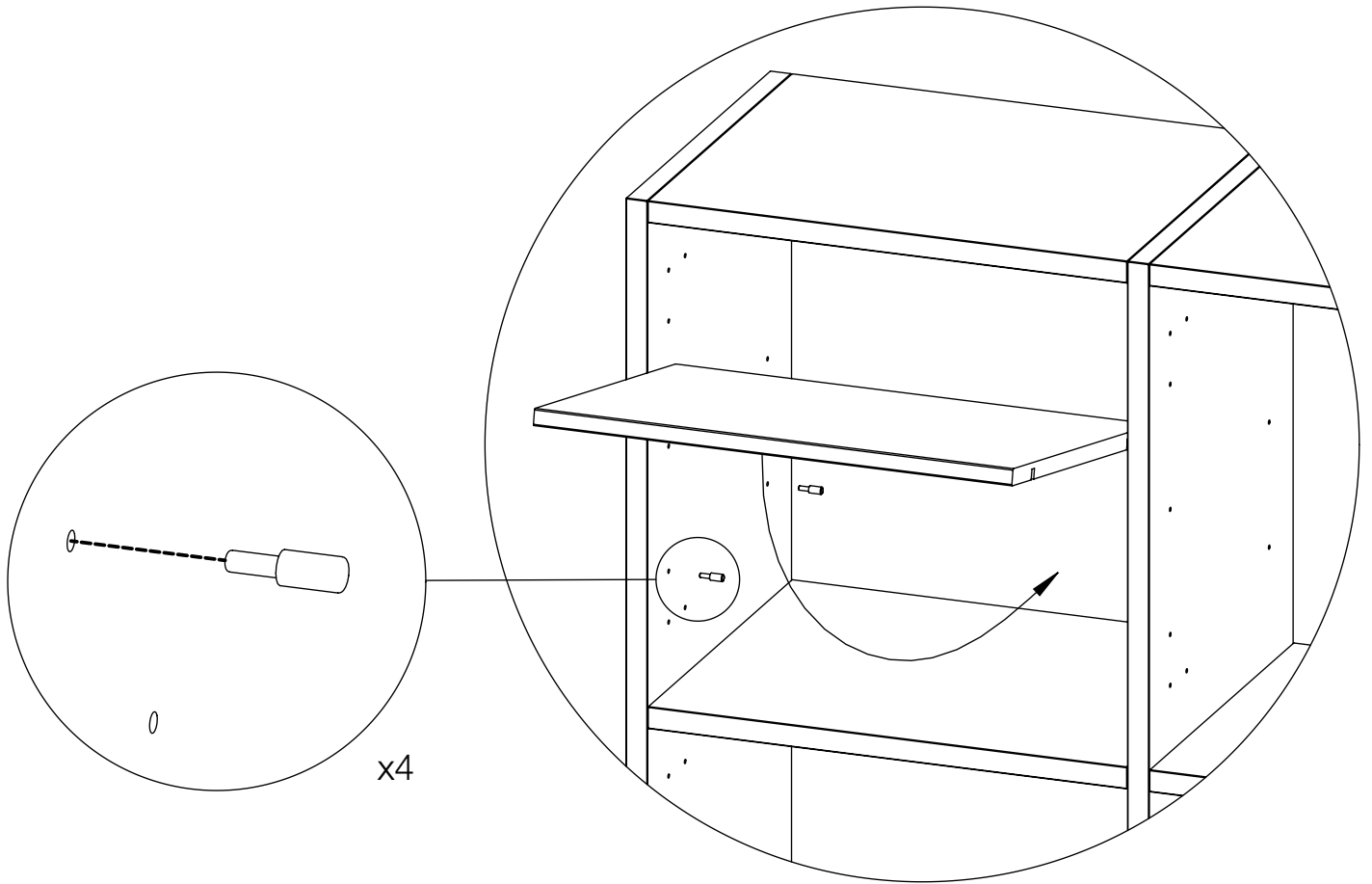
2. Mounting of drawer stop: fixed shelf A



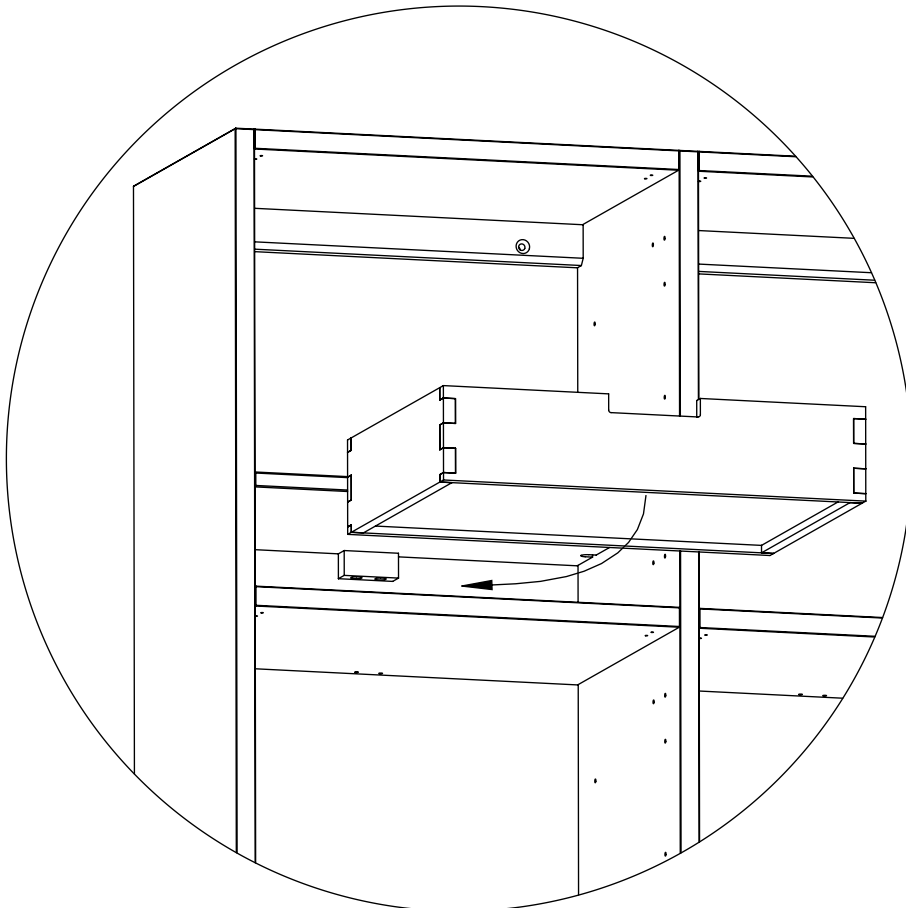
Mounting of drawer stop: loose shelf B



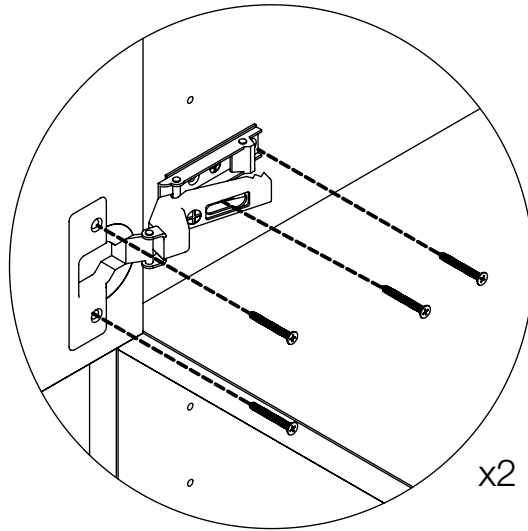
3. Placement of loose shelf



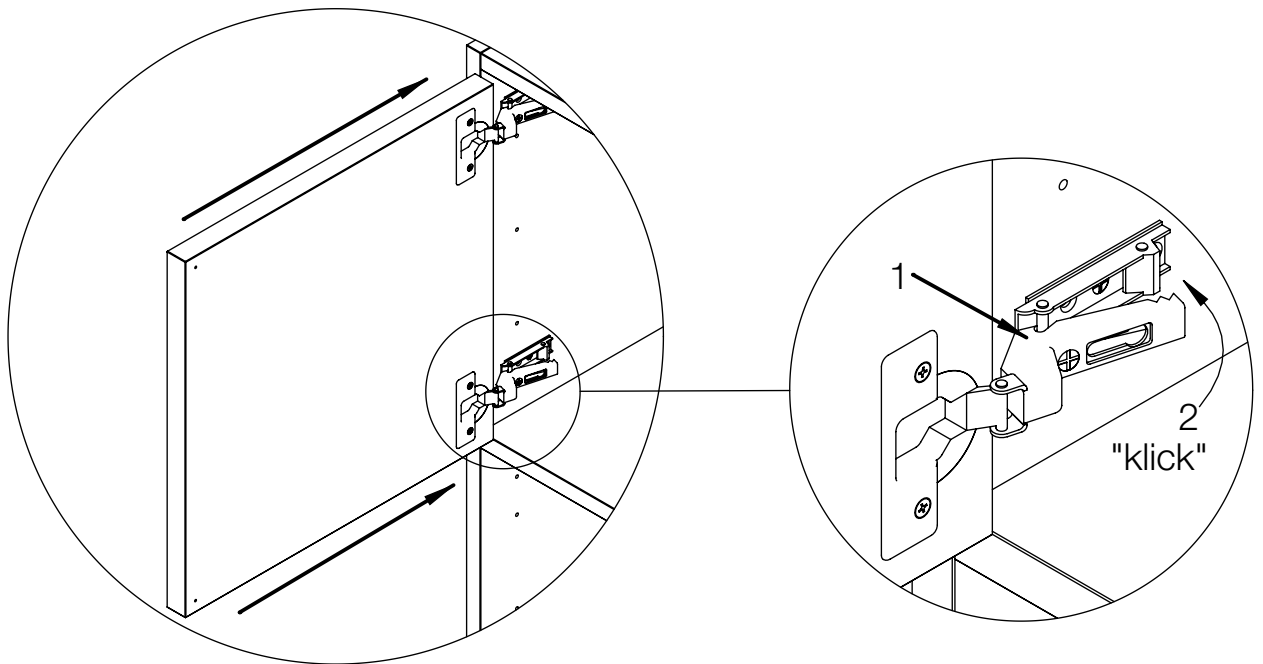
4. Placement of drawer



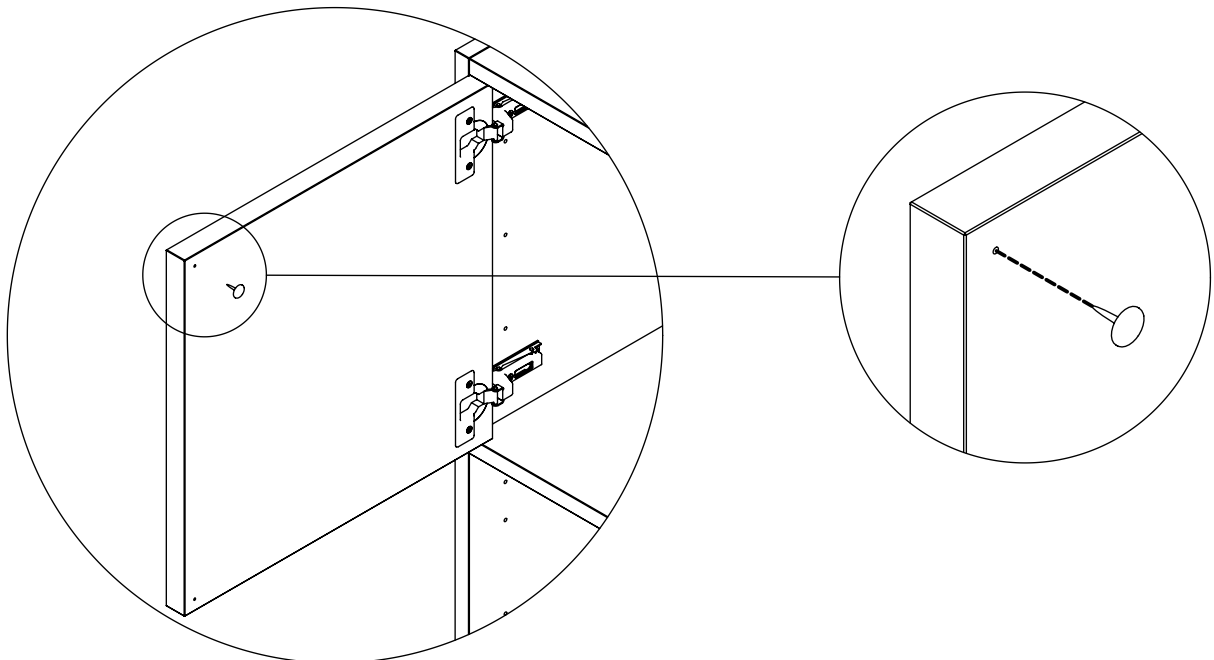
5. Mounting of hinges



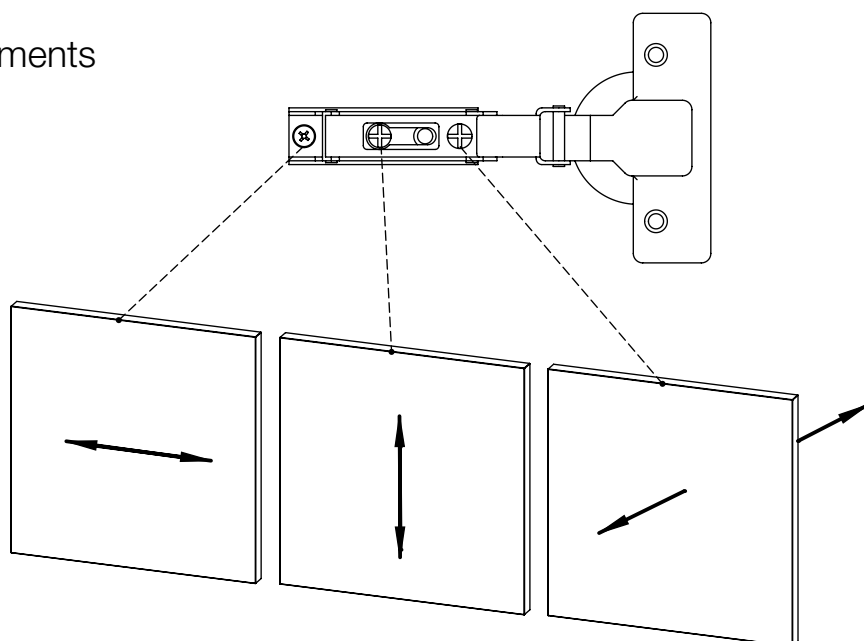
6. Mounting of door



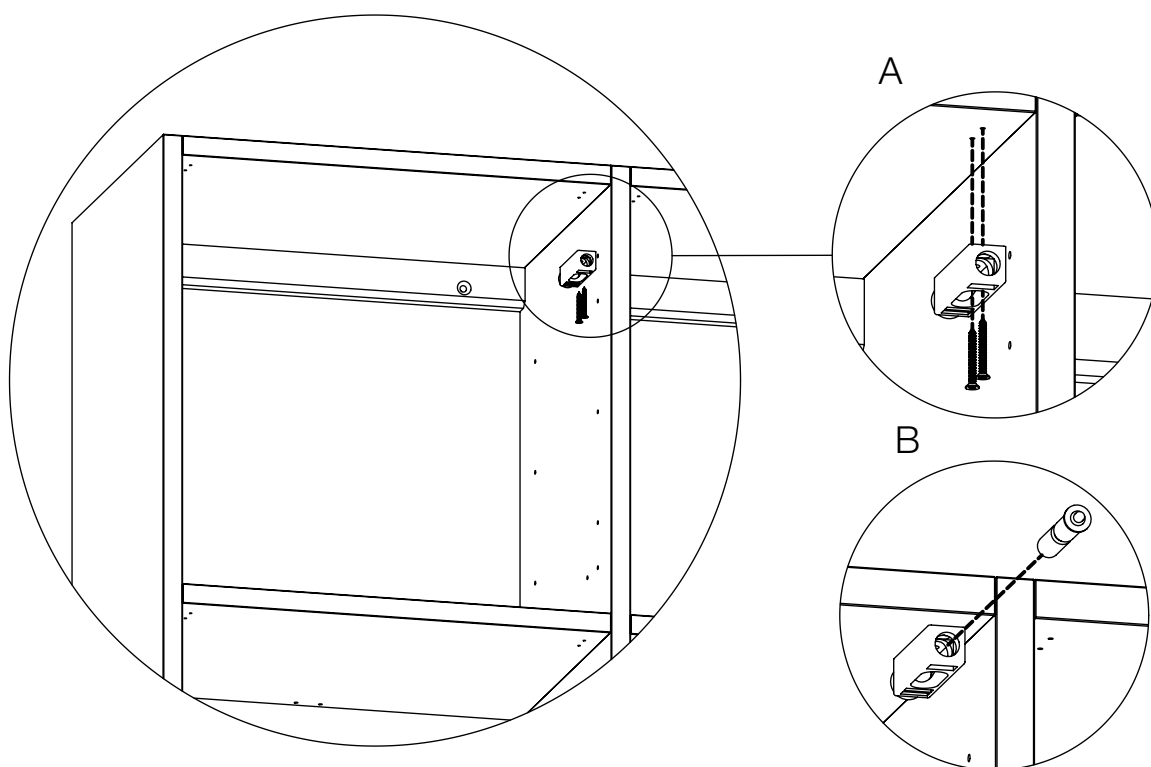
7. Mounting of door stop pin



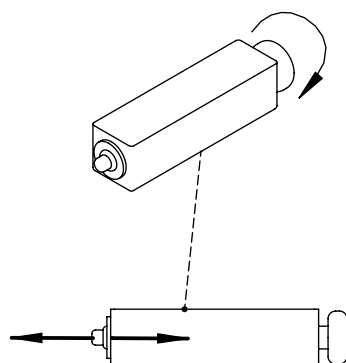
8. Door adjustments



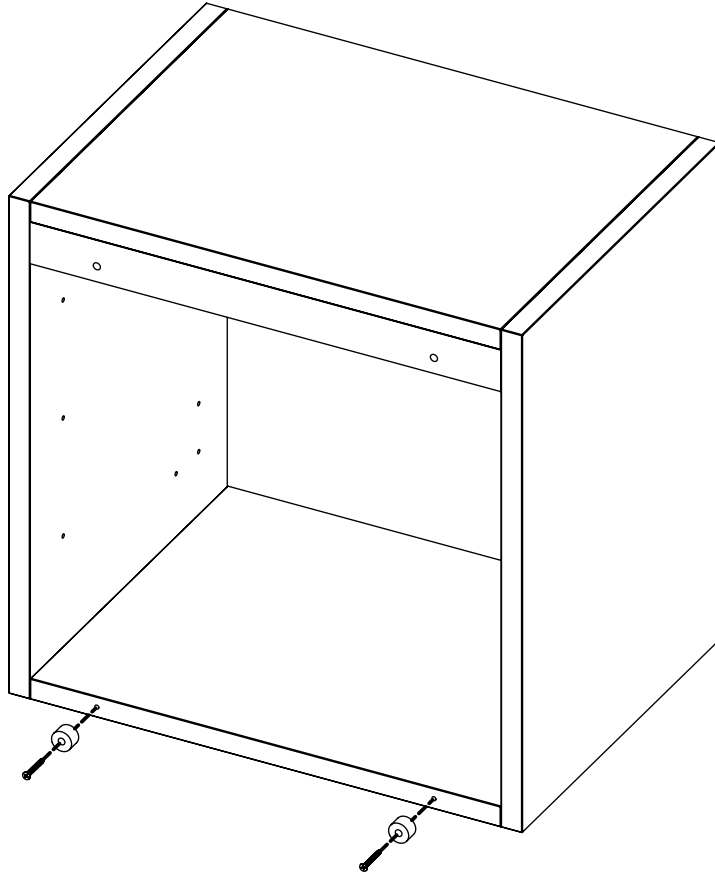
9. Mounting of door stop



10. Door stop adjustments



11. Mounting of bottom spacer (optional)



12. Mounting on wall, including top spacer (optional)

